

CONCEPT, TYPE 4X

INDUSTRY STANDARDS

Mounting brackets required to meet UL/CSA external mounting requirements.

UL 508A Listed; Type 3R, 4, 4X, 12; File No. E61997
 cUL Listed per CSA C22.2 No 94; Type 3R, 4, 4X, 12; File No. E61997

NEMA/EEMAC Type 3R, 4, 4X, 12, 13
 CSA File No. 42186: Type 4, 4X, 12
 VDE IP66
 IEC 60529, IP66
 Meets NEMA Type 3RX requirements

APPLICATION

For indoor or outdoor applications that require corrosion protection from chemicals and water. CONCEPT Enclosures feature streamlined styling with an attractive stroked finish and flush quarter-turn latches for secure closure. Available in solid- and window-door models.

SPECIFICATIONS

- Manufactured from Type 304 or Type 316L stainless steel
- Minimum-width body flange provides maximum body opening
- External formed 90-degree body flange

- Panel mounting studs fit optional CONCEPT panels and other accessories
- Mounting holes in back of body for direct mounting or for optional external mounting brackets
- Type 316 stainless steel hidden hinges promote clean aesthetic appearance
- Corner formed doors are interchangeable and easily removed by pulling clip-style hinge pins
- Provision on door (except window-door style and when B = 12 in.) for thermoplastic data pocket
- Provision on door (except window-door style and when B = 12 in.) for optional doorstop kit
- Quarter-turn latches furnished with flush slotted insert
- Seamless foam-in-place gasket
- Self-grounding latch system with double seal
- Bonding provision on door; grounding stud on body
- Furnished hardware kit consists of panel-mounting nuts, panel-grounding hardware and sealing washers for wall-mounting holes
- Installation instructions
- Window doors have a clear polycarbonate window

FINISH

Door and body have smooth #4 brushed finish.

ACCESSORIES

Type 316 Stainless Steel Door Stop Kit
 CONCEPT panels
 H2OMIT Vent Drains, Type 4X
 H2OMIT Thermoelectric Dehumidifier
 Handles
 Lock Inserts
 HF Side-Mount Filter Fans
 Steel, Stainless Steel and Non-Metallic Window Kits
 PANELITE Enclosure Lights
 Hol-Sealers Hole Seals

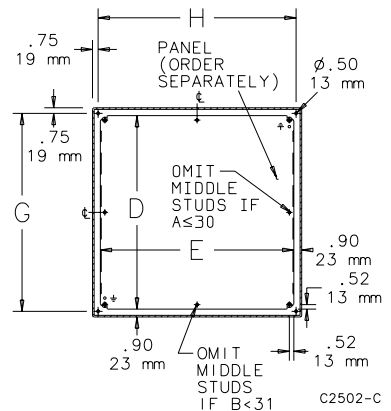
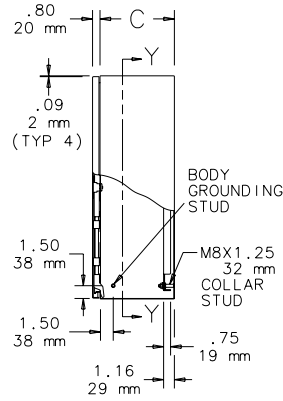
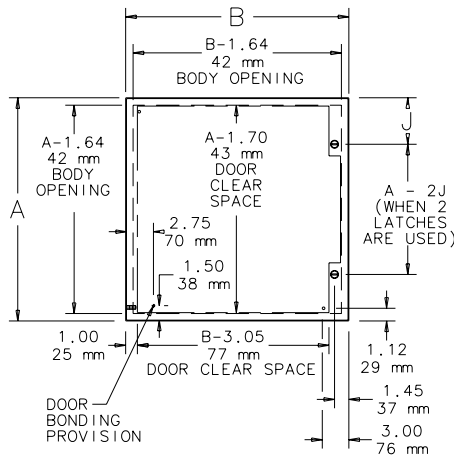
MODIFICATION AND CUSTOMIZATION

Hoffman excels at modifying and customizing products to your specifications. Contact your local Hoffman sales office or distributor for complete information.

BULLETIN: CWS
Standard Product One-Door

| Catalog Number | AxBxC in. | AxBxC mm | Door Gauge | Body Gauge | Panel | Conductive Panel | Panel Size D x E (in.) | Panel Size D x E (mm) | Mounting G x H (in.) | Mounting G x H (mm) | Latches Qty. | Style | J (in.) | J (mm) |
|----------------|----------------------|-----------------|------------|------------|--------|------------------|------------------------|-----------------------|----------------------|---------------------|--------------|--------------|---------|--------|
| CSD12126SS | 12.00 x 12.00 x 6.00 | 305 x 305 x 152 | 16 | 16 | CP1212 | CP1212G | 10.20 x 10.20 | 259 x 259 | 10.50 x 10.50 | 267 x 267 | 1 | Quarter-turn | 6.00 | 152 |
| CSD12126SS6 | 12.00 x 12.00 x 6.00 | 305 x 305 x 152 | 16 | 16 | CP1212 | CP1212G | 10.20 x 10.20 | 259 x 259 | 10.50 x 10.50 | 267 x 267 | 1 | Quarter-turn | 6.00 | 152 |
| CSD12246SS | 12.00 x 24.00 x 6.00 | 305 x 610 x 152 | 16 | 16 | CP2412 | CP2412G | 22.20 x 10.20 | 564 x 259 | 10.50 x 22.50 | 268 x 572 | 1 | Quarter-turn | 6.00 | 152 |
| CSD12246SS6 | 12.00 x 24.00 x 6.00 | 305 x 610 x 152 | 16 | 16 | CP2412 | CP2412G | 22.20 x 10.20 | 564 x 259 | 10.50 x 22.50 | 268 x 572 | 1 | Quarter-turn | 6.00 | 152 |
| CSD16126SS | 16.00 x 12.00 x 6.00 | 406 x 305 x 152 | 16 | 16 | CP1612 | CP1612G | 14.20 x 10.20 | 361 x 259 | 14.50 x 10.50 | 368 x 267 | 1 | Quarter-turn | 8.00 | 203 |
| CSD16126SS6 | 16.00 x 12.00 x 6.00 | 406 x 305 x 152 | 16 | 16 | CP1612 | CP1612G | 14.20 x 10.20 | 361 x 259 | 14.50 x 10.50 | 368 x 267 | 1 | Quarter-turn | 8.00 | 203 |
| CSD16166SS | 16.00 x 16.00 x 6.00 | 406 x 406 x 152 | 16 | 16 | CP1616 | CP1616G | 14.20 x 14.20 | 361 x 361 | 14.50 x 14.50 | 368 x 368 | 1 | Quarter-turn | 8.00 | 203 |
| CSD16166SS6 | 16.00 x 16.00 x 6.00 | 406 x 406 x 152 | 16 | 16 | CP1616 | CP1616G | 14.20 x 14.20 | 361 x 361 | 14.50 x 14.50 | 368 x 368 | 1 | Quarter-turn | 8.00 | 203 |
| CSD20166SS | 20.00 x 16.00 x 6.00 | 508 x 406 x 152 | 16 | 16 | CP2016 | CP2016G | 18.20 x 14.20 | 462 x 361 | 18.50 x 14.50 | 470 x 368 | 1 | Quarter-turn | 10.00 | 254 |
| CSD20166SS6 | 20.00 x 16.00 x 6.00 | 508 x 406 x 152 | 16 | 16 | CP2016 | CP2016G | 18.20 x 14.20 | 462 x 361 | 18.50 x 14.50 | 470 x 368 | 1 | Quarter-turn | 10.00 | 254 |
| CSD20206SS | 20.00 x 20.00 x 6.00 | 508 x 508 x 152 | 16 | 16 | CP2020 | CP2020G | 18.20 x 18.20 | 462 x 462 | 18.50 x 18.50 | 470 x 470 | 1 | Quarter-turn | 10.00 | 254 |
| CSD20206SS6 | 20.00 x 20.00 x 6.00 | 508 x 508 x 152 | 16 | 16 | CP2020 | CP2020G | 18.20 x 18.20 | 462 x 462 | 18.50 x 18.50 | 470 x 470 | 1 | Quarter-turn | 10.00 | 254 |
| CSD24206SS | 24.00 x 20.00 x 6.00 | 610 x 508 x 152 | 16 | 16 | CP2420 | CP2420G | 22.20 x 18.20 | 564 x 462 | 22.50 x 18.50 | 572 x 470 | 1 | Quarter-turn | 12.00 | 305 |
| CSD24206SS6 | 24.00 x 20.00 x 6.00 | 610 x 508 x 152 | 16 | 16 | CP2420 | CP2420G | 22.20 x 18.20 | 564 x 462 | 22.50 x 18.50 | 572 x 470 | 1 | Quarter-turn | 12.00 | 305 |
| CSD30166SS | 30.00 x 16.00 x 6.00 | 762 x 406 x 152 | 16 | 16 | CP3016 | CP3016G | 28.20 x 14.20 | 716 x 361 | 28.50 x 14.50 | 724 x 368 | 2 | Quarter-turn | 5.00 | 127 |
| CSD30166SS6 | 30.00 x 16.00 x 6.00 | 762 x 406 x 152 | 16 | 16 | CP3016 | CP3016G | 28.20 x 14.20 | 716 x 361 | 28.50 x 14.50 | 724 x 368 | 2 | Quarter-turn | 5.00 | 127 |
| CSD16128SS | 16.00 x 12.00 x 8.00 | 406 x 305 x 203 | 16 | 16 | CP1612 | CP1612G | 14.20 x 10.20 | 361 x 259 | 14.50 x 10.50 | 368 x 267 | 1 | Quarter-turn | 8.00 | 203 |
| CSD16128SS6 | 16.00 x 12.00 x 8.00 | 406 x 305 x 203 | 16 | 16 | CP1612 | CP1612G | 14.20 x 10.20 | 361 x 259 | 14.50 x 10.50 | 368 x 267 | 1 | Quarter-turn | 8.00 | 203 |
| CSD16168SS | 16.00 x 16.00 x 8.00 | 406 x 406 x 203 | 16 | 16 | CP1616 | CP1616G | 14.20 x 14.20 | 361 x 361 | 14.50 x 14.50 | 368 x 368 | 1 | Quarter-turn | 8.00 | 203 |
| CSD16168SS6 | 16.00 x 16.00 x 8.00 | 406 x 406 x 203 | 16 | 16 | CP1616 | CP1616G | 14.20 x 14.20 | 361 x 361 | 14.50 x 14.50 | 368 x 368 | 1 | Quarter-turn | 8.00 | 203 |
| CSD16208SS | 16.00 x 20.00 x 8.00 | 406 x 508 x 203 | 16 | 16 | CP2016 | CP2016G | 18.20 x 14.20 | 462 x 361 | 18.50 x 14.50 | 470 x 368 | 1 | Quarter-turn | 8.00 | 203 |
| CSD16208SS6 | 16.00 x 20.00 x 8.00 | 406 x 508 x 203 | 16 | 16 | CP2016 | CP2016G | 18.20 x 14.20 | 462 x 361 | 18.50 x 14.50 | 470 x 368 | 1 | Quarter-turn | 8.00 | 203 |
| CSD20168SS | 20.00 x 16.00 x 8.00 | 508 x 406 x 203 | 16 | 16 | CP2016 | CP2016G | 18.20 x 14.20 | 462 x 361 | 18.50 x 14.50 | 470 x 368 | 1 | Quarter-turn | 10.00 | 254 |
| CSD20168SS6 | 20.00 x 16.00 x 8.00 | 508 x 406 x 203 | 16 | 16 | CP2016 | CP2016G | 18.20 x 14.20 | 462 x 361 | 18.50 x 14.50 | 470 x 368 | 1 | Quarter-turn | 10.00 | 254 |
| CSD20208SS | 20.00 x 20.00 x 8.00 | 508 x 508 x 203 | 16 | 16 | CP2020 | CP2020G | 18.20 x 18.20 | 462 x 462 | 18.50 x 18.50 | 470 x 470 | 1 | Quarter-turn | 10.00 | 254 |
| CSD20208SS6 | 20.00 x 20.00 x 8.00 | 508 x 508 x 203 | 16 | 16 | CP2020 | CP2020G | 18.20 x 18.20 | 462 x 462 | 18.50 x 18.50 | 470 x 470 | 1 | Quarter-turn | 10.00 | 254 |

| Catalog Number | AxByC in. | AxByC mm | Door Gauge | Body Gauge | Panel | Conductive Panel | Panel Size D x E (in.) | Panel Size D x E (mm) | Mounting G x H (in.) | Mounting G x H (mm) | Latches Qty. | Style | J (in.) | J (mm) |
|----------------|-----------------------|------------------|------------|------------|--------|------------------|------------------------|-----------------------|----------------------|---------------------|--------------|--------------|---------|--------|
| CSD20248SS | 20.00 x 24.00 x 8.00 | 508 x 610 x 203 | 16 | 16 | CP2420 | CP2420G | 22.20 x 18.20 | 564 x 462 | 18.50 x 22.50 | 470 x 572 | 1 | Quarter-turn | 10.00 | 254 |
| CSD20248SS6 | 20.00 x 24.00 x 8.00 | 508 x 610 x 203 | 16 | 16 | CP2420 | CP2420G | 22.20 x 18.20 | 564 x 462 | 18.50 x 22.50 | 470 x 572 | 1 | Quarter-turn | 10.00 | 254 |
| CSD24168SS | 24.00 x 16.00 x 8.00 | 610 x 406 x 203 | 16 | 16 | CP2416 | CP2416G | 22.20 x 14.20 | 564 x 361 | 22.50 x 14.50 | 572 x 368 | 1 | Quarter-turn | 12.00 | 305 |
| CSD24168SS6 | 24.00 x 16.00 x 8.00 | 610 x 406 x 203 | 16 | 16 | CP2416 | CP2416G | 22.20 x 14.20 | 564 x 361 | 22.50 x 14.50 | 572 x 368 | 1 | Quarter-turn | 12.00 | 305 |
| CSD24208SS | 24.00 x 20.00 x 8.00 | 610 x 508 x 203 | 16 | 16 | CP2420 | CP2420G | 22.20 x 18.20 | 564 x 462 | 22.50 x 18.50 | 572 x 470 | 1 | Quarter-turn | 12.00 | 305 |
| CSD24208SS6 | 24.00 x 20.00 x 8.00 | 610 x 508 x 203 | 16 | 16 | CP2420 | CP2420G | 22.20 x 18.20 | 564 x 462 | 22.50 x 18.50 | 572 x 470 | 1 | Quarter-turn | 12.00 | 305 |
| CSD24248SS | 24.00 x 24.00 x 8.00 | 610 x 610 x 203 | 14 | 16 | CP2424 | CP2424 | 22.20 x 22.20 | 564 x 564 | 22.50 x 22.50 | 572 x 572 | 2 | Quarter-turn | 5.00 | 127 |
| CSD24248SS6 | 24.00 x 24.00 x 8.00 | 610 x 610 x 203 | 14 | 16 | CP2424 | CP2424G | 22.20 x 22.20 | 564 x 564 | 22.50 x 22.50 | 572 x 572 | 2 | Quarter-turn | 5.00 | 127 |
| CSD24308SS | 24.00 x 30.00 x 8.00 | 610 x 762 x 203 | 14 | 16 | CP3024 | CP3024G | 28.20 x 22.20 | 716 x 564 | 28.50 x 22.50 | 724 x 572 | 2 | Quarter-turn | 5.00 | 127 |
| CSD24308SS6 | 24.00 x 30.00 x 8.00 | 610 x 762 x 203 | 14 | 16 | CP3024 | CP3024G | 28.20 x 22.20 | 716 x 564 | 28.50 x 22.50 | 724 x 572 | 2 | Quarter-turn | 5.00 | 127 |
| CSD30208SS | 30.00 x 20.00 x 8.00 | 762 x 508 x 203 | 14 | 16 | CP3020 | CP3020G | 28.20 x 18.20 | 716 x 462 | 28.50 x 18.50 | 724 x 470 | 2 | Quarter-turn | 5.00 | 127 |
| CSD30208SS6 | 30.00 x 20.00 x 8.00 | 762 x 508 x 203 | 14 | 16 | CP3020 | CP3020G | 28.20 x 18.20 | 716 x 462 | 28.50 x 18.50 | 724 x 470 | 2 | Quarter-turn | 5.00 | 127 |
| CSD30248SS | 30.00 x 24.00 x 8.00 | 762 x 610 x 203 | 14 | 16 | CP3024 | CP3024G | 28.20 x 22.20 | 716 x 564 | 28.50 x 22.50 | 724 x 572 | 2 | Quarter-turn | 5.00 | 127 |
| CSD30248SS6 | 30.00 x 24.00 x 8.00 | 762 x 610 x 203 | 14 | 16 | CP3024 | CP3024G | 28.20 x 22.20 | 716 x 564 | 28.50 x 22.50 | 724 x 572 | 2 | Quarter-turn | 5.00 | 127 |
| CSD30308SS | 30.00 x 30.00 x 8.00 | 762 x 762 x 203 | 14 | 16 | CP3030 | CP3030G | 28.20 x 28.20 | 716 x 716 | 28.50 x 28.50 | 724 x 724 | 2 | Quarter-turn | 5.00 | 127 |
| CSD30308SS6 | 30.00 x 30.00 x 8.00 | 762 x 762 x 203 | 14 | 16 | CP3030 | CP3030G | 28.20 x 28.20 | 716 x 716 | 28.50 x 28.50 | 724 x 724 | 2 | Quarter-turn | 5.00 | 127 |
| CSD36248SS | 36.00 x 24.00 x 8.00 | 914 x 610 x 203 | 14 | 16 | CP3624 | CP3624G | 34.20 x 22.20 | 869 x 564 | 34.50 x 22.50 | 876 x 572 | 2 | Quarter-turn | 5.00 | 127 |
| CSD36248SS6 | 36.00 x 24.00 x 8.00 | 914 x 610 x 203 | 14 | 16 | CP3624 | CP3624G | 34.20 x 22.20 | 869 x 564 | 34.50 x 22.50 | 876 x 572 | 2 | Quarter-turn | 5.00 | 127 |
| CSD36308SS | 36.00 x 30.00 x 8.00 | 914 x 762 x 203 | 14 | 16 | CP3630 | CP3630G | 34.20 x 28.20 | 869 x 716 | 34.50 x 28.50 | 876 x 724 | 2 | Quarter-turn | 5.00 | 127 |
| CSD36308SS6 | 36.00 x 30.00 x 8.00 | 914 x 762 x 203 | 14 | 16 | CP3630 | CP3630G | 34.20 x 28.20 | 869 x 716 | 34.50 x 28.50 | 876 x 724 | 2 | Quarter-turn | 5.00 | 127 |
| CSD161210SS | 16.00 x 12.00 x 10.00 | 406 x 305 x 254 | 16 | 16 | CP1612 | CP1612G | 14.20 x 10.20 | 361 x 259 | 14.50 x 10.50 | 368 x 267 | 1 | Quarter-turn | 8.00 | 203 |
| CSD161210SS6 | 16.00 x 12.00 x 10.00 | 406 x 305 x 254 | 16 | 16 | CP1612 | CP1612G | 14.20 x 10.20 | 361 x 259 | 14.50 x 10.50 | 368 x 267 | 1 | Quarter-turn | 8.00 | 203 |
| CSD161610SS | 16.00 x 16.00 x 10.00 | 406 x 406 x 254 | 16 | 16 | CP1616 | CP1616G | 14.20 x 14.20 | 361 x 361 | 14.50 x 14.50 | 368 x 368 | 1 | Quarter-turn | 8.00 | 203 |
| CSD161610SS6 | 16.00 x 16.00 x 10.00 | 406 x 406 x 254 | 16 | 16 | CP1616 | CP1616G | 14.20 x 14.20 | 361 x 361 | 14.50 x 14.50 | 368 x 368 | 1 | Quarter-turn | 8.00 | 203 |
| CSD162010SS | 16.00 x 20.00 x 10.00 | 406 x 508 x 254 | 16 | 16 | CP2016 | CP2016G | 18.20 x 14.20 | 462 x 361 | 14.50 x 18.50 | 368 x 470 | 1 | Quarter-turn | 8.00 | 203 |
| CSD162010SS6 | 16.00 x 20.00 x 10.00 | 406 x 508 x 254 | 16 | 16 | CP2016 | CP2016G | 18.20 x 14.20 | 462 x 361 | 14.50 x 18.50 | 368 x 470 | 1 | Quarter-turn | 8.00 | 203 |
| CSD201610SS | 20.00 x 16.00 x 10.00 | 508 x 406 x 254 | 16 | 16 | CP2016 | CP2016G | 18.20 x 14.20 | 462 x 361 | 18.50 x 14.50 | 470 x 368 | 1 | Quarter-turn | 10.00 | 254 |
| CSD201610SS6 | 20.00 x 16.00 x 10.00 | 508 x 406 x 254 | 16 | 16 | CP2016 | CP2016G | 18.20 x 14.20 | 462 x 361 | 18.50 x 14.50 | 470 x 368 | 1 | Quarter-turn | 10.00 | 254 |
| CSD202010SS | 20.00 x 20.00 x 10.00 | 508 x 508 x 254 | 16 | 16 | CP2020 | CP2020G | 18.20 x 18.20 | 462 x 462 | 18.50 x 18.50 | 470 x 470 | 1 | Quarter-turn | 10.00 | 254 |
| CSD202010SS6 | 20.00 x 20.00 x 10.00 | 508 x 508 x 254 | 16 | 16 | CP2020 | CP2020G | 18.20 x 18.20 | 462 x 462 | 18.50 x 18.50 | 470 x 470 | 1 | Quarter-turn | 10.00 | 254 |
| CSD202410SS | 20.00 x 24.00 x 10.00 | 508 x 610 x 254 | 16 | 16 | CP2420 | CP2420G | 22.20 x 18.20 | 464 x 462 | 18.50 x 22.50 | 470 x 572 | 1 | Quarter-turn | 10.00 | 254 |
| CSD202410SS6 | 20.00 x 24.00 x 10.00 | 508 x 610 x 254 | 16 | 16 | CP2420 | CP2420G | 22.20 x 18.20 | 464 x 462 | 18.50 x 22.50 | 470 x 572 | 1 | Quarter-turn | 10.00 | 254 |
| CSD241610SS | 24.00 x 16.00 x 10.00 | 610 x 406 x 254 | 16 | 16 | CP2416 | CP2416G | 22.20 x 14.20 | 564 x 361 | 22.50 x 14.50 | 572 x 368 | 1 | Quarter-turn | 12.00 | 305 |
| CSD241610SS6 | 24.00 x 16.00 x 10.00 | 610 x 406 x 254 | 16 | 16 | CP2416 | CP2416G | 22.20 x 14.20 | 564 x 361 | 22.50 x 14.50 | 572 x 368 | 1 | Quarter-turn | 12.00 | 305 |
| CSD242010SS | 24.00 x 20.00 x 10.00 | 610 x 508 x 254 | 16 | 16 | CP2420 | CP2420G | 22.20 x 18.20 | 564 x 462 | 22.50 x 18.50 | 572 x 470 | 1 | Quarter-turn | 12.00 | 305 |
| CSD242010SS6 | 24.00 x 20.00 x 10.00 | 610 x 508 x 254 | 16 | 16 | CP2420 | CP2420G | 22.20 x 18.20 | 564 x 462 | 22.50 x 18.50 | 572 x 470 | 1 | Quarter-turn | 12.00 | 305 |
| CSD242410SS | 24.00 x 24.00 x 10.00 | 610 x 610 x 254 | 14 | 16 | CP2424 | CP2424G | 22.20 x 22.20 | 564 x 564 | 22.50 x 22.50 | 572 x 572 | 2 | Quarter-turn | 5.00 | 127 |
| CSD242410SS6 | 24.00 x 24.00 x 10.00 | 610 x 610 x 254 | 14 | 16 | CP2424 | CP2424G | 22.20 x 22.20 | 564 x 564 | 22.50 x 22.50 | 572 x 572 | 2 | Quarter-turn | 5.00 | 127 |
| CSD243010SS | 24.00 x 30.00 x 10.00 | 610 x 762 x 254 | 14 | 16 | CP3024 | CP3024G | 28.20 x 22.20 | 716 x 564 | 22.50 x 28.50 | 572 x 724 | 2 | Quarter-turn | 5.00 | 127 |
| CSD243010SS6 | 24.00 x 30.00 x 10.00 | 610 x 762 x 254 | 14 | 16 | CP3024 | CP3024G | 28.20 x 22.20 | 716 x 564 | 22.50 x 28.50 | 572 x 724 | 2 | Quarter-turn | 5.00 | 127 |
| CSD302010SS | 30.00 x 20.00 x 10.00 | 762 x 508 x 254 | 14 | 16 | CP3020 | CP3020G | 28.20 x 18.20 | 716 x 462 | 28.50 x 18.50 | 724 x 470 | 2 | Quarter-turn | 5.00 | 127 |
| CSD302010SS6 | 30.00 x 20.00 x 10.00 | 762 x 508 x 254 | 14 | 16 | CP3020 | CP3020G | 28.20 x 18.20 | 716 x 462 | 28.50 x 18.50 | 724 x 470 | 2 | Quarter-turn | 5.00 | 127 |
| CSD302410SS | 30.00 x 24.00 x 10.00 | 762 x 610 x 254 | 14 | 16 | CP3024 | CP3024G | 28.20 x 22.20 | 716 x 564 | 28.50 x 22.50 | 724 x 572 | 2 | Quarter-turn | 5.00 | 127 |
| CSD302410SS6 | 30.00 x 24.00 x 10.00 | 762 x 610 x 254 | 14 | 16 | CP3024 | CP3024G | 28.20 x 22.20 | 716 x 564 | 28.50 x 22.50 | 724 x 572 | 2 | Quarter-turn | 5.00 | 127 |
| CSD303010SS | 30.00 x 30.00 x 10.00 | 762 x 762 x 254 | 14 | 16 | CP3030 | CP3030G | 28.20 x 28.20 | 716 x 716 | 28.50 x 28.50 | 724 x 724 | 2 | Quarter-turn | 5.00 | 127 |
| CSD303010SS6 | 30.00 x 30.00 x 10.00 | 762 x 762 x 254 | 14 | 16 | CP3030 | CP3030G | 28.20 x 28.20 | 716 x 716 | 28.50 x 28.50 | 724 x 724 | 2 | Quarter-turn | 5.00 | 127 |
| CSD362410SS | 36.00 x 24.00 x 10.00 | 914 x 610 x 254 | 14 | 16 | CP3624 | CP3624G | 34.20 x 22.20 | 869 x 564 | 34.50 x 22.50 | 876 x 572 | 2 | Quarter-turn | 5.00 | 127 |
| CSD362410SS6 | 36.00 x 24.00 x 10.00 | 914 x 610 x 254 | 14 | 16 | CP3624 | CP3624G | 34.20 x 22.20 | 869 x 564 | 34.50 x 22.50 | 876 x 572 | 2 | Quarter-turn | 5.00 | 127 |
| CSD363010SS | 36.00 x 30.00 x 10.00 | 914 x 762 x 254 | 14 | 16 | CP3630 | CP3630G | 34.20 x 28.20 | 869 x 716 | 34.50 x 28.50 | 876 x 724 | 2 | Quarter-turn | 5.00 | 127 |
| CSD363010SS6 | 36.00 x 30.00 x 10.00 | 914 x 762 x 254 | 14 | 16 | CP3630 | CP3630G | 34.20 x 28.20 | 869 x 716 | 34.50 x 28.50 | 876 x 724 | 2 | Quarter-turn | 5.00 | 127 |
| CSD422410SS | 42.00 x 24.00 x 10.00 | 1067 x 610 x 254 | 14 | 14 | CP4242 | CP4242G | 22.20 x 40.20 | 564 x 1021 | 40.50 x 22.50 | 1029 x 572 | 1 | 3-point | 21.00 | 533 |
| CSD422410SS6 | 42.00 x 24.00 x 10.00 | 1067 x 610 x 254 | 14 | 14 | CP4242 | CP4242G | 22.20 x 40.20 | 564 x 1021 | 40.50 x 22.50 | 1029 x 572 | 1 | 3-point | 21.00 | 533 |
| CSD423010SS | 42.00 x 30.00 x 10.00 | 1067 x 762 x 254 | 14 | 14 | CP4230 | CP4230G | 40.20 x 28.20 | 1021 x 716 | 40.50 x 28.50 | 1029 x 724 | 1 | 3-point | 21.00 | 533 |
| CSD423010SS6 | 42.00 x 30.00 x 10.00 | 1067 x 762 x 254 | 14 | 14 | CP4230 | CP4230G | 40.20 x 28.20 | 1021 x 716 | 40.50 x 28.50 | 1029 x 724 | 1 | 3-point | 21.00 | 533 |
| CSD482410SS | 48.00 x 24.00 x 10.00 | 1219 x 610 x 254 | 14 | 14 | CP4824 | CP4824G | 46.20 x 22.20 | 1173 x 564 | 46.50 x 22.50 | 1181 x 572 | 1 | 3-point | 24.00 | 610 |
| CSD482410SS6 | 48.00 x 24.00 x 10.00 | 1219 x 610 x 254 | 14 | 14 | CP4824 | CP4824G | 46.20 x 22.20 | 1173 x 564 | 46.50 x 22.50 | 1181 x 572 | 1 | 3-point | 24.00 | 610 |
| CSD202012SS | 20.00 x 20.00 x 12.00 | 508 x 508 x 305 | 14 | 16 | CP2020 | CP2020G | 18.20 x 18.20 | 462 x 462 | 18.50 x 18.50 | 470 x 470 | 1 | Quarter-turn | 10.00 | 254 |
| CSD202012SS6 | 20.00 x 20.00 x 12.00 | 508 x 508 x 305 | 14 | 16 | CP2020 | CP2020G | 18.20 x 18.20 | 462 x 462 | 18.50 x 18.50 | 470 x 470 | 1 | Quarter-turn | 10.00 | 254 |
| CSD242412SS | 24.00 x 24.00 x 12.00 | 610 x 610 x 305 | 14 | 16 | CP2424 | CP2424G | 22.20 x 22.20 | 564 x 564 | 22.50 x 22.50 | 572 x 572 | 2 | Quarter-turn | 5.00 | 127 |
| CSD242412SS6 | 24.00 x 24.00 x 12.00 | 610 x 610 x 305 | 14 | 16 | CP2424 | CP2424G | 22.20 x 22.20 | 564 x 564 | 22.50 x 22.50 | 572 x 572 | 2 | Quarter-turn | 5.00 | 127 |
| CSD302412SS | 30.00 x 24.00 x 12.00 | 762 x 610 x 305 | 14 | 16 | CP3024 | CP3024G | 28.20 x 22.20 | 716 x 564 | 28.50 x 22.50 | 724 x 572 | 2 | Quarter-turn | 5.00 | 127 |
| CSD302412SS6 | 30.00 x 24.00 x 12.00 | 762 x 610 x 305 | 14 | 16 | CP3024 | CP3024G | 28.20 x 22.20 | 716 x 564 | 28.50 x 22.50 | 724 x 572 | 2 | Quarter-turn | 5.00 | 127 |
| CSD303012SS | 30.00 x 30.00 x 12.00 | 762 x 762 x 305 | 14 | 16 | CP3030 | CP3030G | 28.20 x 28.20 | 716 x 716 | 28.50 x 28.50 | 724 x 724 | 2 | Quarter-turn | 5.00 | 127 |
| CSD303012SS6 | 30.00 x 30.00 x 12.00 | 762 x 762 x 305 | 14 | 16 | CP3030 | CP3030G | 28.20 x 28.20 | 716 x 716 | 28.50 x 28.50 | 724 x 724 | 2 | Quarter-turn | 5.00 | 127 |
| CSD362412SS | 36.00 x 24.00 x 12.00 | 914 x 610 x 305 | 14 | 16 | CP3624 | CP3624G | 34.20 x 22.20 | 869 x 564 | 34.50 x 22.50 | 876 x 572 | 2 | Quarter-turn | 5.00 | 127 |
| CSD362412SS6 | 36.00 x 24.00 x 12. | | | | | | | | | | | | | |



SECTION Y-Y
(WITH PANEL INSTALLED)

Standard Product **One-Door with Window**

| Catalog Number | AxBxC in. | AxBxC mm | Door Ga. | Body Ga. | Panel | Panel Size D x E (in.) | Panel Size D x E (mm) | Mounting G x H (in.) | Mounting G x H (mm) | Window Size M x N (in.) | Window Size M x N (mm) | Latch Qty. | Style | J (in.) | J (mm) |
|----------------|-----------------------|-----------------|----------|----------|--------|------------------------|-----------------------|----------------------|---------------------|-------------------------|------------------------|------------|--------------|---------|--------|
| CSD12126WSS | 12.00 x 12.00 x 6.00 | 305 x 305 x 152 | 16 | 16 | CP1212 | 10.20 x 10.20 | 259 x 259 | 10.50 x 10.50 | 267 x 267 | 8.74 x 7.10 | 222 x 180 | 1 | Quarter-turn | 6.00 | 152 |
| CSD16126WSS | 16.00 x 12.00 x 6.00 | 406 x 305 x 152 | 16 | 16 | CP1612 | 14.20 x 10.20 | 361 x 259 | 14.50 x 10.50 | 368 x 267 | 12.74 x 7.10 | 324 x 180 | 1 | Quarter-turn | 8.00 | 203 |
| CSD20166WSS | 20.00 x 16.00 x 6.00 | 508 x 406 x 152 | 16 | 16 | CP2016 | 18.20 x 14.20 | 462 x 361 | 18.50 x 14.50 | 470 x 368 | 16.74 x 11.10 | 425 x 282 | 1 | Quarter-turn | 10.00 | 254 |
| CSD20206WSS | 20.00 x 20.00 x 6.00 | 508 x 508 x 152 | 16 | 16 | CP2020 | 18.20 x 18.20 | 462 x 462 | 18.50 x 18.50 | 470 x 470 | 16.74 x 15.10 | 425 x 384 | 1 | Quarter-turn | 10.00 | 254 |
| CSD20168WSS | 20.00 x 16.00 x 8.00 | 508 x 406 x 203 | 16 | 16 | CP2016 | 18.20 x 14.20 | 462 x 361 | 18.50 x 14.50 | 470 x 368 | 16.74 x 11.10 | 425 x 282 | 1 | Quarter-turn | 10.00 | 254 |
| CSD20208WSS | 20.00 x 20.00 x 8.00 | 508 x 508 x 203 | 16 | 16 | CP2020 | 18.20 x 18.20 | 462 x 462 | 18.50 x 18.50 | 470 x 470 | 16.74 x 15.10 | 425 x 384 | 1 | Quarter-turn | 10.00 | 254 |
| CSD24208WSS | 24.00 x 20.00 x 8.00 | 610 x 508 x 203 | 16 | 16 | CP2420 | 22.20 x 18.20 | 564 x 462 | 22.50 x 18.50 | 572 x 470 | 20.74 x 15.10 | 527 x 384 | 1 | Quarter-turn | 12.00 | 305 |
| CSD24248WSS | 24.00 x 24.00 x 8.00 | 610 x 610 x 203 | 14 | 16 | CP2424 | 22.20 x 22.20 | 564 x 564 | 22.50 x 22.50 | 572 x 572 | 20.74 x 17.68 | 527 x 449 | 2 | Quarter-turn | 5.00 | 127 |
| CSD30248WSS | 30.00 x 24.00 x 8.00 | 762 x 610 x 203 | 14 | 16 | CP3024 | 28.20 x 22.20 | 716 x 564 | 28.50 x 22.50 | 724 x 572 | 26.74 x 17.68 | 679 x 449 | 2 | Quarter-turn | 5.00 | 127 |
| CSD161210WSS | 16.00 x 12.00 x 10.00 | 406 x 305 x 254 | 16 | 16 | CP1612 | 14.20 x 10.20 | 361 x 259 | 14.50 x 10.50 | 368 x 267 | 12.74 x 7.10 | 324 x 180 | 1 | Quarter-turn | 8.00 | 203 |
| CSD201610WSS | 20.00 x 16.00 x 10.00 | 508 x 406 x 254 | 16 | 16 | CP2016 | 18.20 x 14.20 | 462 x 361 | 18.50 x 14.50 | 470 x 368 | 16.74 x 11.10 | 425 x 282 | 1 | Quarter-turn | 10.00 | 254 |
| CSD202010WSS | 20.00 x 20.00 x 10.00 | 508 x 508 x 254 | 16 | 16 | CP2020 | 18.20 x 18.20 | 462 x 462 | 18.50 x 18.50 | 470 x 470 | 16.74 x 15.10 | 425 x 384 | 1 | Quarter-turn | 10.00 | 254 |
| CSD242010WSS | 24.00 x 20.00 x 10.00 | 610 x 508 x 254 | 16 | 16 | CP2420 | 22.20 x 18.20 | 564 x 462 | 22.50 x 18.50 | 572 x 470 | 20.74 x 15.10 | 527 x 384 | 1 | Quarter-turn | 12.00 | 305 |
| CSD242410WSS | 24.00 x 24.00 x 10.00 | 610 x 610 x 254 | 14 | 16 | CP2424 | 22.20 x 22.20 | 564 x 564 | 22.50 x 22.50 | 572 x 572 | 20.74 x 17.68 | 527 x 449 | 2 | Quarter-turn | 5.00 | 127 |
| CSD302410WSS | 30.00 x 24.00 x 10.00 | 762 x 610 x 254 | 14 | 16 | CP3024 | 28.20 x 22.20 | 716 x 564 | 28.50 x 22.50 | 724 x 572 | 26.74 x 17.68 | 679 x 449 | 2 | Quarter-turn | 5.00 | 127 |
| CSD202012WSS | 20.00 x 20.00 x 12.00 | 508 x 508 x 305 | 14 | 16 | CP2020 | 18.20 x 18.20 | 462 x 462 | 18.50 x 18.50 | 470 x 470 | 16.74 x 15.10 | 425 x 384 | 1 | Quarter-turn | 10.00 | 254 |
| CSD302412WSS | 30.00 x 24.00 x 12.00 | 762 x 610 x 305 | 14 | 16 | CP3024 | 28.20 x 22.20 | 716 x 564 | 28.50 x 22.50 | 724 x 572 | 26.74 x 17.68 | 679 x 449 | 2 | Quarter-turn | 5.00 | 127 |

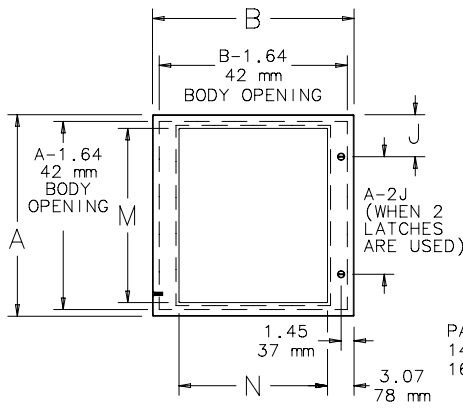
Purchase panels separately.

Optional NEMA style steel and stainless steel panels require conversion kit catalog number CCPM4.

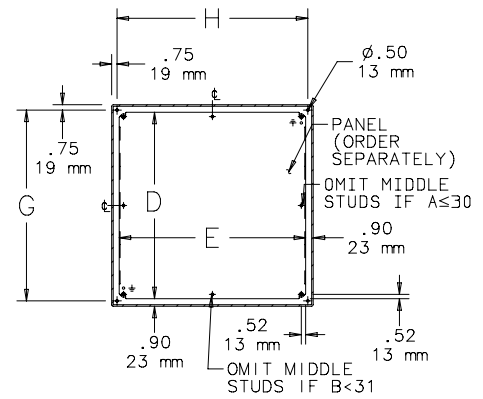
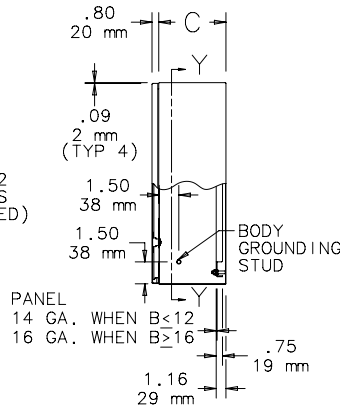
Material is stainless steel Type 304.

For Conductive Panels, add a "G" to the panel catalog number.

CONCEPT Single-Door Wall-Mounted Enclosures with Windows



Window Door Enclosure with Quarter-turn Latches



SECTION Y-Y
(WITH PANEL INSTALLED)

Notes