



Think Automation and beyond...

Safety Laser Scanner SE2L

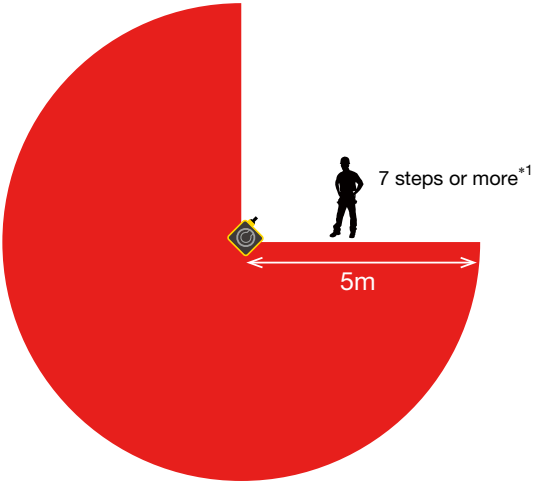




Area Protection

Ensures the safety of humans in a hazardous area, or those approaching the machine.

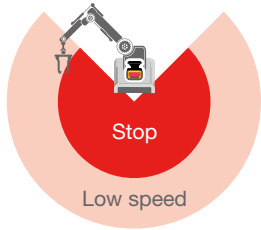
Distance 5m, sensing angle 270°



One SE2L protects a wide area (270° and 5m) and can be used in a variety of applications such as large sized systems or long conveyor lines.

*1: average stride length (70 cm) of a 170 cm person

Ensures productivity and safety



The SE2L is a safety sensor that can detect approach. Stop area can be made smaller by detecting approach at the additional protection zone to start slowdown. (Conventional configuration of one protection zone + two warning zones is possible)

Master slave function, first in its industry



A maximum of four SE2Ls can be interconnected using RS-485 for master/slave operation.

IDEC's safety products for safe and productive production lines



RF2 force-guided relay (2-pole)

Can be used as interface relays to send input signals to a controller, or to amplify current for driving a contactor.



RF1V force-guided relay (4-pole/6-pole)

Can interrupt a small load directly.

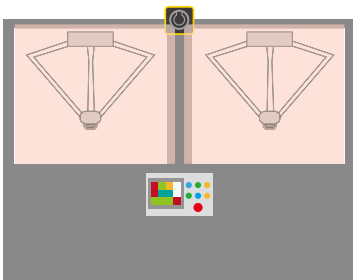


Access Protection

Allows only objects to pass through. Detects the access of humans.

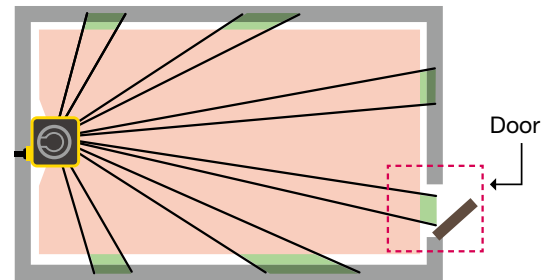


Dual protection function



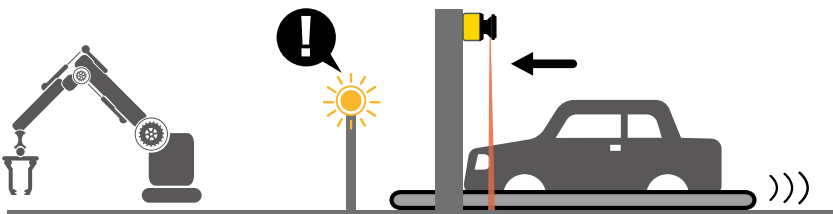
An SE2L can monitor two separate hazardous areas to stop machines when detecting the access of humans. No reflective sensor is necessary, thus eliminating the need of optical axis alignment. Can replace two light curtains.

Ensures safety at positional change

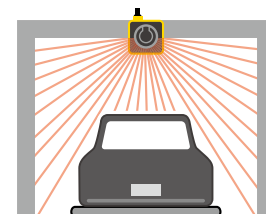


Reference monitoring function ensures safety by detecting the positional change of SE2L or reference boundary, such as a door's opening/closing status.

Ensures safety at entrance of works. Override function enables restart from unintended stop.



By disabling some areas of protection zone, muting function allows objects to enter the hazardous area without stopping the machine.



With override function, when stopped by errors at muting status, the work can be moved easily.



FS1A Safety Controller

A variety of safety products can be connected to the controller equipped with various control logics.



LD6A LED SignalLight Towers

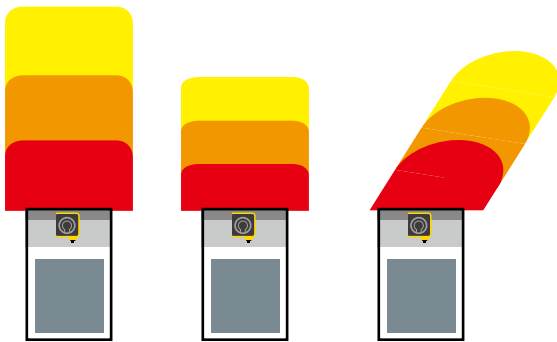
Used to indicate the status of processes. Visible even at a distance.

Collision Avoidance

Protects humans from colliding.
Also prevents loads on from falling.

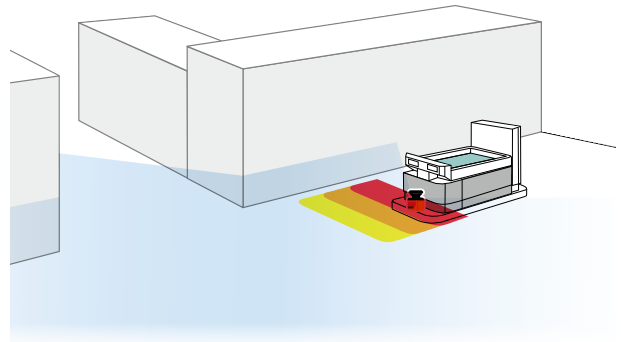


A maximum of 32 area patterns



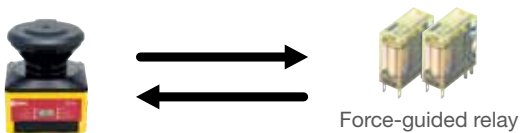
A maximum of 32 area patterns can be configured/switched according to the mobile application such as AGV, ensuring the optimum protection in various applications.

Utilize distance measurement data



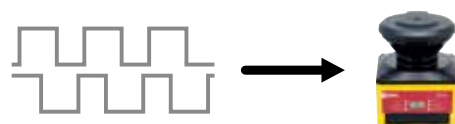
During safety protection, the SE2L can send out distance measurement data through the Ethernet port, in order to obtain the data of the obstacles.

Monitors external output equipment



EDM function monitors the status of external devices, enabling monitoring of welded contacts and such.

Encoder inputs



Pulse signals from an incremental encoder can be sent to the SE2L directly without a controller, enabling to switch areas easily depending on the speed.

IDEC's safety products
for safe and productive
production lines



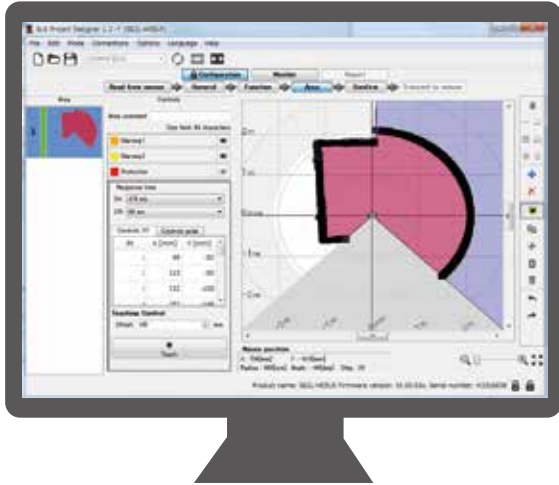
Emergency Stop Switches
XW/XN/X6

A variety of models to choose from.

Excellent Usability

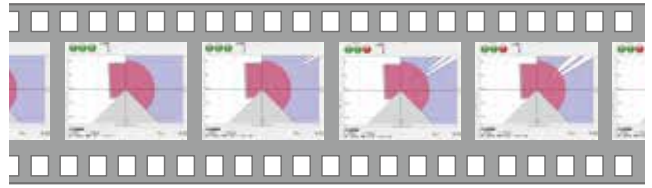
Easy-to-use configuration and useful functions for simple and comfortable maintenance.

Supports area configuration



Teaching function enables automatic area configuration by referring to obstacles such as walls and columns. Area can be configured easily even with complicated background.

Check detection status with video



No human in the protection zone Human approaching the protection zone Human inside the protection zone

Area data and distance measurement data can be recorded while monitoring on PC. Video of detection status can be replayed with the file.

Reduce maintenance and start-up time



Area data and function settings created on PC can be transferred to the SE2L using not only by USB cable but also micro SD card.

Detection log report reduces maintenance

| Update time: 2016/04/21 11:31:02 | | | | |
|----------------------------------|-----------------------------|-----------------------|------------------|---------------------|
| Log | ID | Min distance | Stop | |
| Log1 | Area: 1 Protection1: OFF | Protection1: 108 [mm] | Protection1: 534 | 2016/04/21 11:30:57 |
| Log2 | Area: 1 Protection1: OFF | Protection1: 115 [mm] | Protection1: 578 | 2016/04/21 11:30:59 |
| Log3 | Area: 1 Protection1: OFF | Protection1: 111 [mm] | Protection1: 566 | 2016/04/21 11:31:00 |



Operational status is displayed on the SE2L. It can also be displayed on PC to monitor errors and data log for easy trouble shooting.

Stable operation even in dusty environment



Checks dust in air with signals and reduces unintended detection. Safety function is not impaired.

Optical window can be replaced on-site



Optical Window

Optical window can be replaced by the user, reducing downtime and cost. A cover bracket to protect the SE2L for damage by collision is also available.

IDEC Safety Solution

- Safety system
- Safety consulting
- Risk assessment
- Safety seminars

IDEC—Committed to creating the optimum safety environment—both for humans and systems.





SE2L Safety Laser Scanner

SE2L Safety Laser Scanner

Model












Package Quantity: 1

| Name & Shape | Cable Length | Part No. | Remarks |
|--|--------------|-------------|---|
| Cable Model  | 3m | SE2L-H05LP | <ul style="list-style-type: none"> Attachment: SLS Project Designer CD (includes: User's Manual, SLS_Optical Window Adjuster) Applicable OS: Windows XP, 32 bit (SP3 or higher) Windows 7, 32/64 bit (SP1 or higher) Windows 8, 32/64 bit Windows 8.1, 32/64 bit Windows 10 32/64 bit |
| Connector Model  NEW | 0.3m | SE2L-H05LPC | |


Accessories (optional)

Package Quantity: 1


| Part No. | Cable Length | Part No. | Remarks |
|---|--------------|-----------------|---|
| Connector Cable  | 2m | SE9Z-HS2-C002 | <ul style="list-style-type: none"> Degree of protection: IP65 Used with connector model SE2L-H05LPC only. |
| | 5m | SE9Z-HS2-C005 | |
| | 10m | SE9Z-HS2-C010 | |
| | 20m | SE9Z-HS2-C020 | |
| Micro USB Cable  | 1m | SE9Z-HS2-XCM11 | <ul style="list-style-type: none"> Used to connect the SE2L and PC. |
| Ethernet Cable  | 3m | SE9Z-HS2-XCD13 | <ul style="list-style-type: none"> Degree of protection: IP65 Waterproof LAN cable |
| Extension Cable | 10m | SE9Z-HS2-XCE010 | <ul style="list-style-type: none"> Used to extend the cable length of the SE2L. |
| | 20m | SE9Z-HS2-XCE020 | |
| Base Mounting Bracket  | | SE9Z-HS2-BK01 | <ul style="list-style-type: none"> Used to change the vertical angle alignment of the SE2L. Adjustable by 15 degrees total (7.5 degrees each direction) Material: iron Attachment: Four bolts (M5×12) |
| Rear Mounting Bracket  | | SE9Z-HS2-BK02 | <ul style="list-style-type: none"> Used to change the vertical/horizontal angle adjustment of the SE2L. Adjustable by 15 degrees total (7.5 degrees each direction) Material: iron Attachment: Four bolts (M5×12) |
| Simple Base Mounting Bracket  NEW | | SE9Z-HS2-BK03 | <ul style="list-style-type: none"> Attachment: Four bolts (M5×10) |
| Rear Mounting Bracket  NEW | | SE9Z-HS2-BK04L | <ul style="list-style-type: none"> Attachment: Four bolts (M5×10) |
| Cover Bracket  | | SE9Z-HS2-CM01 | <ul style="list-style-type: none"> Used to protect the optical window in combination with base mounting bracket or rear mounting bracket. Material: iron Attachment: Four bolts (M5×12) |
| Optical Window  | | SE9Z-HS2-WD01 | <ul style="list-style-type: none"> Material: polycarbonate Attachment: Four bolts (M3×8) |

Safety Products




Safety Controller

| Name & Shape | Part No. | Remarks |
|---|-----------|-------------|
|  | FS1A-C11S | • 24 logics |
| | FS1A-C21S | • 11 logics |




LED Signalight Tower

| Name & Shape | Part No. | Remarks |
|---|----------|--|
|  | LD6A-* | <ul style="list-style-type: none"> Degree of protection: IP65 |

Force-guided Relay

| Name & Shape | Part No. | Remarks |
|--|----------|---|
| 2-pole  | RF2S-* | <ul style="list-style-type: none"> Force guided contact mechanism (EN50205 Type A TÜV approved). |
| | RF2V-* | |
| 4-pole  | RF1V-* | |
| 6-pole  | RF1V-* | |

Emergency Stop Switches

| Name & Shape | Part No. | Remarks |
|--|----------|--|
| ø30mm  | XN1E-* | <ul style="list-style-type: none"> Degree of protection: IP65 |
| ø22mm  | | |
| ø16mm  | AB6E-* | |

* See product catalogs or IDEC's website for detailed part no.

SE2L Safety Laser Scanner

Performance Specifications

| Part No. | | SE2L-H05LP/SE2L-H05LPC |
|-------------------------------------|--|---|
| Sensing Characteristics | Protection Zone | 5.0m maximum |
| | Warning Zone (Note 1) | 20m maximum (non-safety) |
| | Additional Safety Distance (Note 2) | +100 mm |
| | Sensing Characteristics | Black reflector sheet (1.8%) to retro-reflector sheet |
| | Sensing Angle | 270° |
| | Minimum Sensing Width | ø30 mm (maximum distance: 1.8m) ø50 mm (maximum distance: 3.0m) ø70 mm/ø150 mm (maximum distance: 5.0m) |
| | Scan Cycle | 30 ms (rotating speed 2,000 rpm) |
| | Scan Area | 32 patterns maximum |
| | Response Time | ON→OFF: 60 to 510 ms OFF→ON: 270 to 510 ms |
| Light Source | Element | Pulse laser diode |
| | Wavelength | 905nm |
| | Laser Class | Laser class 1 (IEC 60825-1) |
| Type | | Type 3 (IEC 61946-1, IEC 61496-3) |
| Functional Safety | | SIL 2 (Type B, HFT=1) (IEC 61508) |
| PFHd | | 7.8×10^{-8} (T1=20 years): when master slave function is disabled 1.6×10^{-7} (T1=20 years): when master slave function is enabled |
| Master Slave Connection | | 4 maximum |
| Enclosure | Dimensions | 80W × 80D × 95H (mm) (cable not included) |
| | Weight (approx.) | Cable model: 0.8 kg (incl. cable)/Connector model 0.5 kg |
| | Degree of Protection | IP65 (IEC 60529) |
| | Material | Body: aluminum diecast / Optical window: polycarbonate |
| Cable | | Cable model: 3 m/Connector model 0.3 m |
| Power Voltage | | 24V DC ±10%: power from converter 24V DC -30%/+20%: power from battery |
| Power Consumption | Without Output Load | 6W |
| | Maximum (without output load) | 50W |
| Output | OSSD1/2 (safety) | Output type (high side SW) |
| | | Output current (maximum: 500 mA) (Note 3) |
| | | Leakage current (maximum: 1 mA) |
| | | Cable (AWG 26) |
| | OSSD3 (safety) OSSD4 (safety) WARNING1 (non-safety) WARNING2 (non-safety) | Allowable load (L/R=25 ms, C=1μF) |
| | | Output type (high side SW) |
| | | Output current (maximum: 250 mA) (Note 3) |
| | | Leakage current (maximum: 1 mA) |
| | RES_REQ1, RES_REQ2, MUT_OUT1, MUT_OUT2 | Cable (AWG 28) |
| Allowable load (L/R=25 ms, C=1μF) | | |
| Output type (PNP transistor output) | | |
| Output current (maximum: 200 mA) | | |
| Input | Area Switching (5 inputs × 2 channels) EDM1/EDM2/MUTING1/MUTING2/ MUTING3/MUTING4/OVERRIDE1/ OVERRIDE2/RESET1/RESET2/ ENC1_A/ENC1_B/ENC2_A/ENC2_B | Leakage current (maximum: 1 mA) |
| | | Cable (AWG 28) |
| | | Input Resistance: 4.7kΩ Cable: AWG 28 |
| Interface | PC | USB2.0 (USB micro type-B connector) |
| | Master Slave | RS-485 (cable) |
| | Distance Measurement Data Output | Ethernet 100BASE-TX (water proof connector) |
| Environmental Resistance | Operating Temperature | -10 to +50°C (no freezing) |
| | Storage Temperature | -25 to +70°C (no freezing) |
| | Operating Humidity | 95% RH (no condensation) |
| | Storage Humidity | 95% RH (no condensation) |
| | Surrounding Light Intensity (Note 4) | 1500 lx maximum |
| | Vibration Resistance | Frequency: 10 to 55 Hz Sweep: 1 octave/minute Amplitude: 0.35 mm ±0.05 mm |
| | Shock Resistance | Acceleration: 98 m/s ² (10G) Pulse duration: 16 ms |
| | Outdoor Operation | Not permitted |
| | Altitude | Below 2,000m |

Note 1: When the reflectance of object is 90% or above.

Note 2: Additional distance of 200 mm is needed when the SE2L operates under high reflective background.

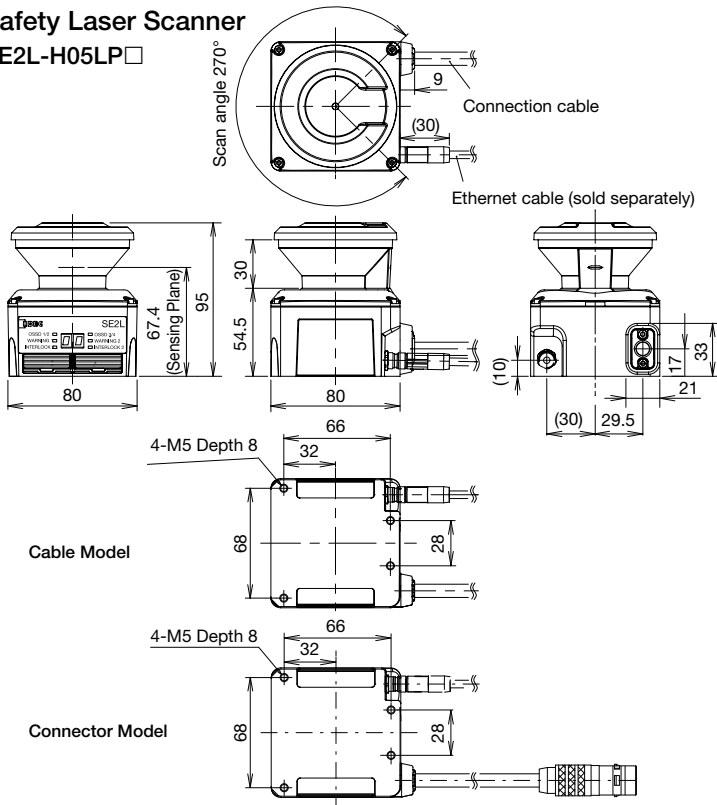
Note 3: Total current supply of OSSD output and warning output should be below 1.0A.

Note 4: The angle between the sensing plane and the light source should be more than 5 degrees.

SE2L Safety Laser Scanner

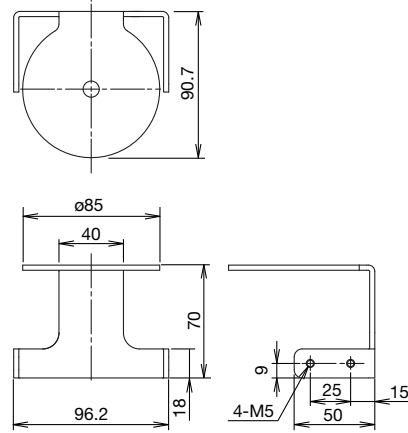
Dimensions

Safety Laser Scanner SE2L-H05LP□



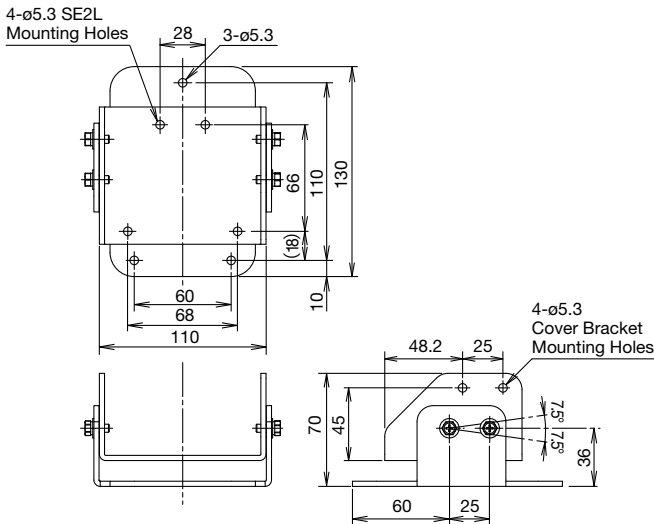
Cover Bracket SE9Z-HS2-CM01

All dimensions in mm.

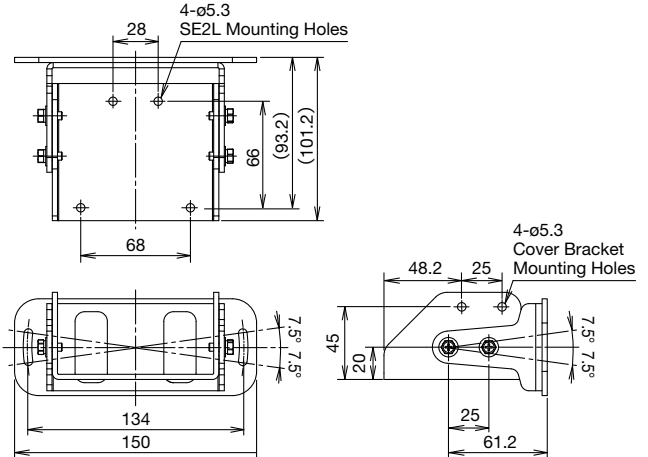


- Used to protect the optical window in combination with base mounting bracket or rear mounting bracket. Cannot be used with simple base mounting bracket or rear mounting bracket.

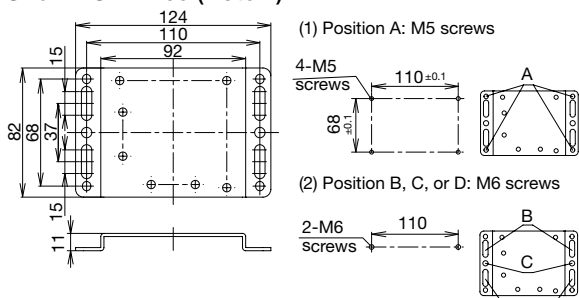
Base Mounting Bracket SE9Z-HS2-BK01



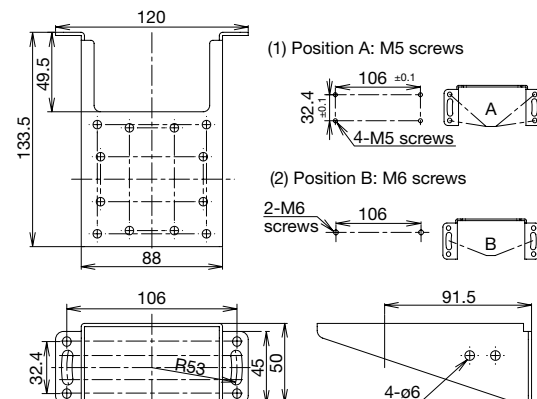
Rear Mounting Bracket SE9Z-HS2-BK02



Simple Base Mounting Bracket SE9Z-HS2-BK03 (Note 1)



Rear Mounting Bracket SE9Z-HS2-BK04L (Note 1)

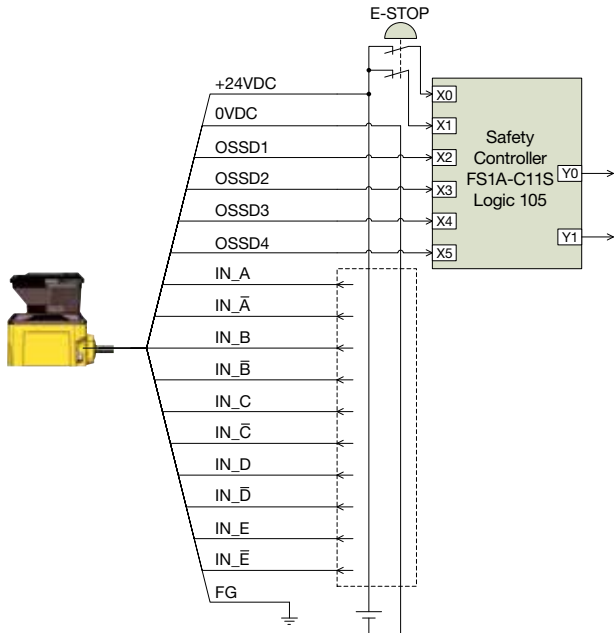


- Note 1:
- Use washers when fastening screws.
 - Use two M6 screws when installing on an aluminum frame.

SE2L Safety Laser Scanner

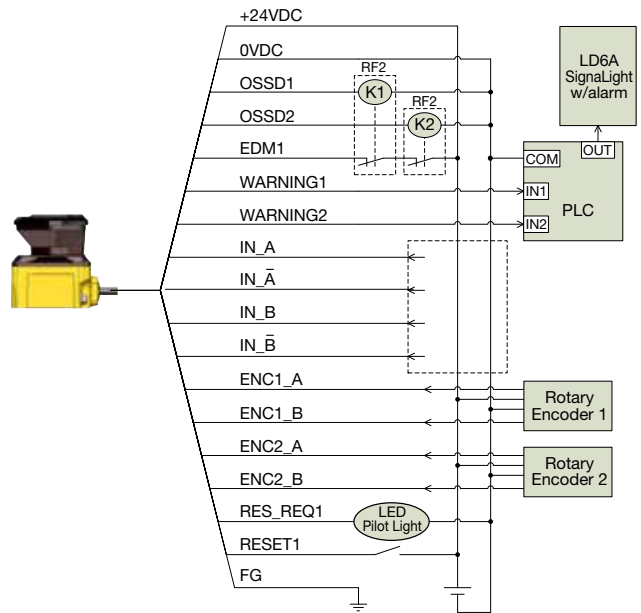
Wiring Examples

a) When using 32 scanning areas (e.g. AGV)



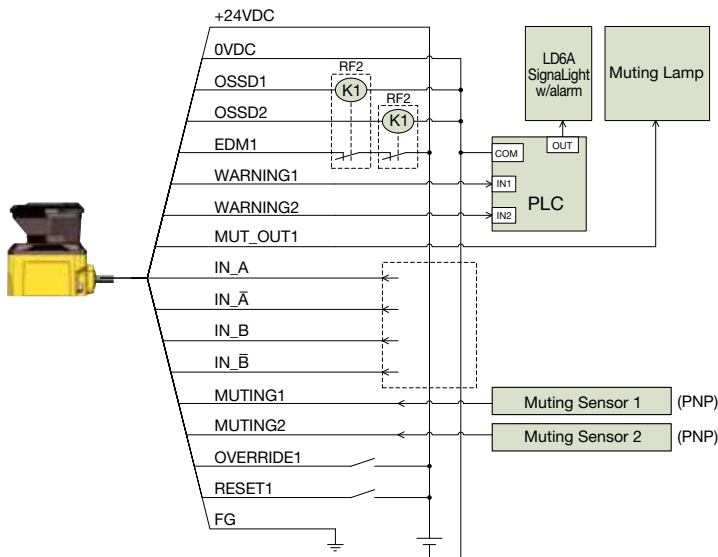
IDEC safety products
 Safety Controller: FS1A
 E-STOP: X series

c) When switching 32 scanning areas using an encoder



IDEC safety products
 SignalLight w/alarm: LD6A
 PLC: FC6A
 LED pilot light: AP22
 Force-guided relay: RF2

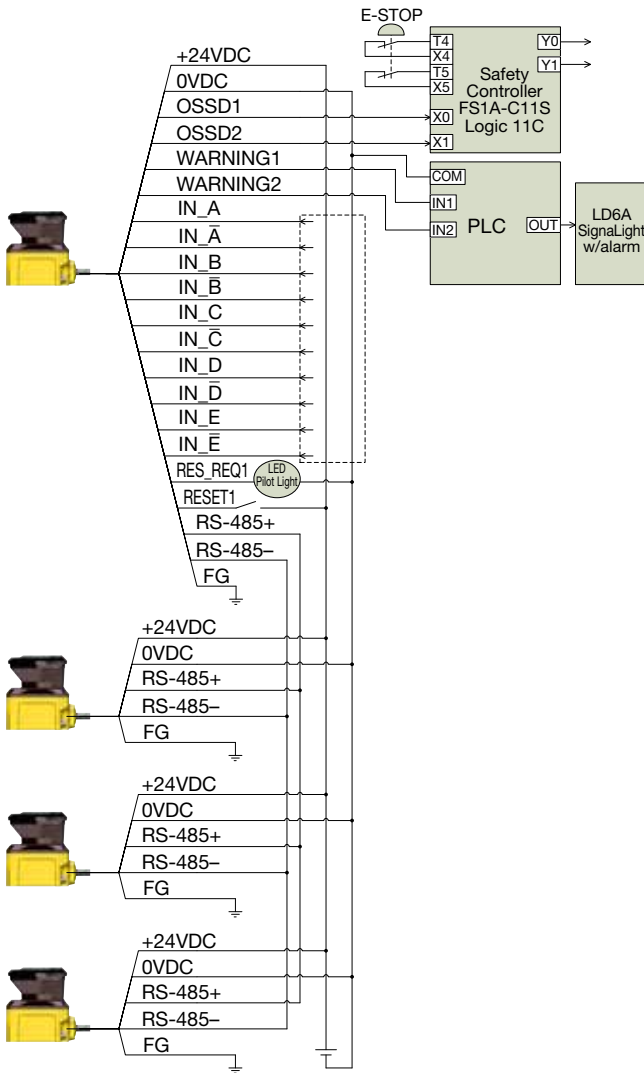
b) When using muting/override/EDM



IDEC safety products
 SignalLight w/alarm: LD6A
 PLC: FC6A
 Muting sensor: SA1E
 Muting sensor lamp: HW1P-5
 Force-guided relay: RF2

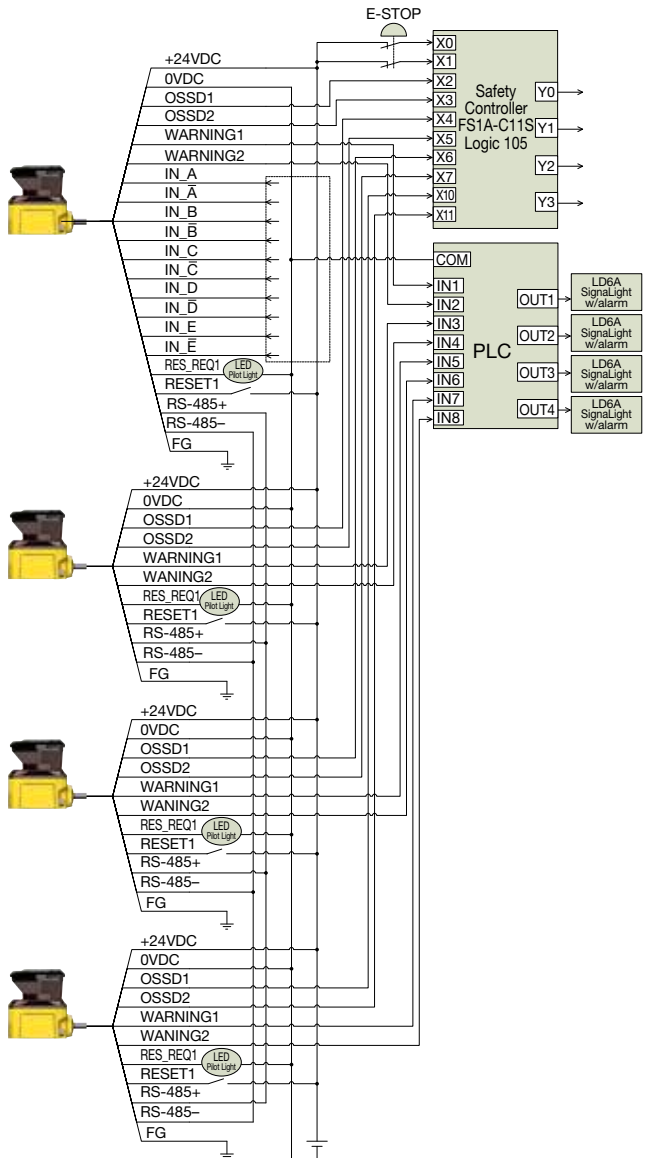
SE2L Safety Laser Scanner

d) When using the master slave function to guard an AGV or robot



IDEC safety products
 SignalLight w/alarm: LD6A
 PLC: FC6A
 LED pilot light: AP22
 Safety Controller: FS1A
 E-STOP: X series

e) When using the master slave function to guard multiple hazards and perform partial stops

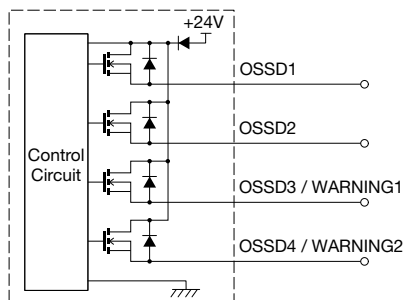


IDEC safety products
 SignalLight w/alarm: LD6A
 PLC: FC6A
 LED pilot light: AP22
 Safety Controller: FS1A
 E-STOP: X series

Input/Output Circuit

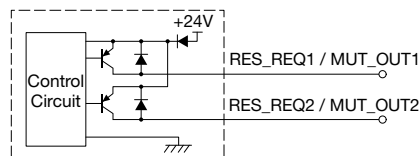
OSSD/WARNING Output Circuit

OSSD/WARNING outputs are N channel MOSFET outputs.



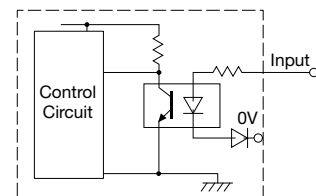
Other Output Circuit

RES_REQ1, RES_REQ2, MUT_OUT1, MUT_OUT2 outputs are PNP outputs.



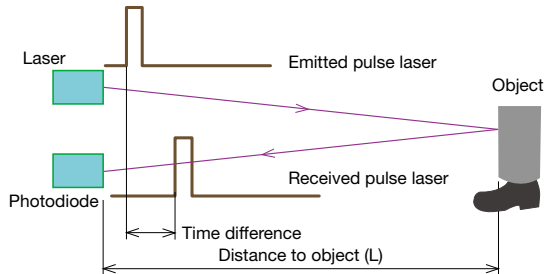
Input Circuit

Available for are input, EDM1, EDM2, RESET1, RESET2, MUTING1, MUTING2, MUTING3, MUTING4, OVERRIDE1, and OVERRIDE2.



Operating Principle

With the SE2L, the distance is measured by the Time of Flight (TOF) principle. The SE2L sends out very short pulses of infrared light. The mirror rotated by the motor sends the infrared light within the scanning range of 270°, and is reflected back from an object within the range.



The distance can be calculated as follows:

$$L = \frac{1}{2} \times c \times T$$

L = Distance to the object
 c = Speed of light
 T = Time difference

Scanning Area

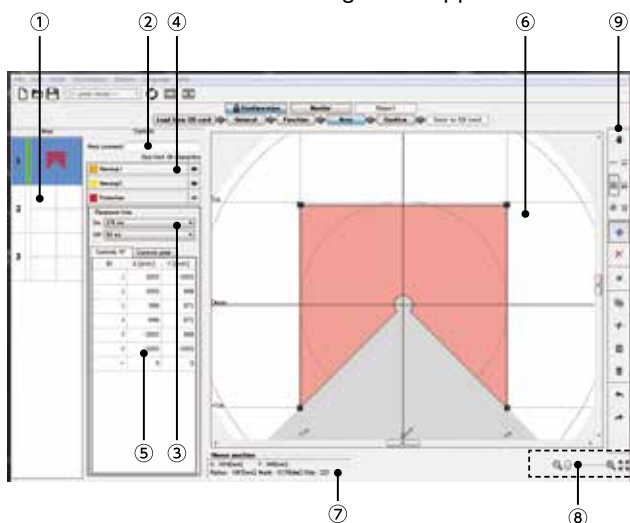
A scanning area of the SE2L consists of:

- A protection + two zones
- A protection zone
- Two protection zones

Up to 32 sets of scanning areas can be configured. A software SLS Project Designer supplied with the SE2L is used to configure the protection and warning zones, providing excellent user interface. Automatic zone configuration by referring the boundary is also possible. See SE2L User's Manual "7. Function Configuration of SE2L" for details. The latest version of the software can be downloaded from IDEC website.

Protection zone: The area obtained by risk assessment and calculation of safety distance

Warning zone: The area to send alarms which can be set according to the application



- ① Area preview
- ② Area comment
- ③ Response time (ON/OFF)
- ④ Area selection
- ⑤ Point coordinate
- ⑥ Area display
- ⑦ Mouse position
- ⑧ Zoom-in, zoom-out tool
- ⑨ Drawing tools bar

Area Switching

The SE2L can store up to 32 area patterns. The number of maximum configurable areas depends on selected functions such as scan area mode and muting.

Maximum number of patterns

| Mode | Protection | Max. Internal Input | Max. Area | Max. Encoder Area |
|------------------|------------|---------------------|-----------|-------------------|
| Standard | 1 | 5 | 32 | – |
| | 2 | 5 | 32 | – |
| EDN | 1 | 4 | 16 | – |
| | 2 | 4 | 16 | – |
| MUTING/EDM | 1 | 2 | 4 | – |
| | 2 | 1 | 2 | – |
| Encoder (Note 1) | 1 | 2 | 3 | 32 (Note 2) |

Note 1: Dual protection and muting function modes cannot be used when encoder input mode is selected.

Note 2: Among the four input patterns, at least one pattern must be used for encoder input. Other three remaining patterns can be selected to be used as a static input or not in use. A pattern with encoder input mode has up to 32 sets of area.

Input combination for area switching

(ex. 5 inputs)

| Area | IN_A | IN_B | IN_C | IN_D | IN_E | IN_Ā | IN_B̄ | IN_C̄ | IN_D̄ | IN_Ē |
|------|------|------|------|------|------|------|-------|-------|-------|------|
| 1 | ON | ON | ON | ON | ON | OFF | OFF | OFF | OFF | OFF |
| 2 | OFF | ON | ON | ON | ON | ON | OFF | OFF | OFF | OFF |
| 3 | ON | OFF | ON | ON | ON | OFF | ON | OFF | OFF | OFF |
| 4 | OFF | OFF | ON | ON | ON | ON | ON | OFF | OFF | OFF |
| 5 | ON | ON | OFF | ON | ON | OFF | OFF | ON | OFF | OFF |
| 6 | OFF | ON | OFF | ON | ON | ON | OFF | ON | OFF | OFF |
| 7 | ON | OFF | OFF | ON | ON | OFF | ON | ON | OFF | OFF |
| 8 | OFF | OFF | OFF | ON | ON | ON | ON | ON | OFF | OFF |
| 9 | ON | ON | ON | OFF | ON | OFF | OFF | OFF | ON | OFF |
| 10 | OFF | ON | ON | OFF | ON | ON | OFF | OFF | ON | OFF |

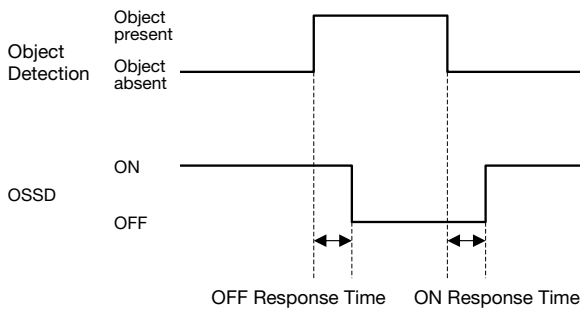
• See User's Manual for more combinations (max. 32 areas)

SE2L Safety Laser Scanner

Response Time

The OFF response time (default: 60ms) for the OSSD signal and ON response time (default: 270ms) can be configured by using the SLS Project Designer. The response time for WARNING 1, 2 is the same as the response time for OSSD. In dual protection mode, different response time can be set for protection zone 1 and 2 each. The stability of the SE2L can be increased by setting a long response time, but a long safety distance is required (see User's Manual 4. Application Examples of SE2L). Before setting the response time, the user must perform a risk assessment thoroughly. The configurable response time is shown in the table below. Be sure to add the time taken to switch areas (30 ms).

Time Chart



SE2L Response Time

| | Response Time (ms) | | | | | | | |
|--------------|--------------------|-----|-----|-----|-----|-----|-----|-----|
| OFF (ON→OFF) | 60 | 90 | 120 | 150 | 180 | 210 | 240 | 270 |
| | 300 | 330 | 360 | 390 | 420 | 450 | 480 | 510 |

| | Response Time (ms) | | | | | | | |
|-------------|--------------------|-----|-----|-----|-----|-----|-----|-----|
| ON (OFF→ON) | - | - | - | - | - | - | - | 270 |
| | 300 | 330 | 360 | 390 | 420 | 450 | 480 | 510 |

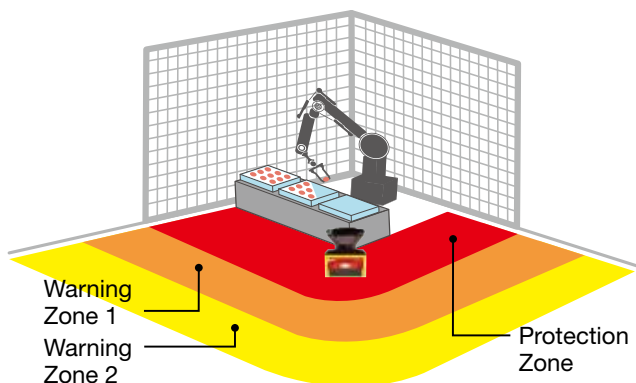
- Default value
- Minimum configurable response time in Master/Slave mode
OFF: 120ms, ON: 300ms

Safety Distance

Access protection

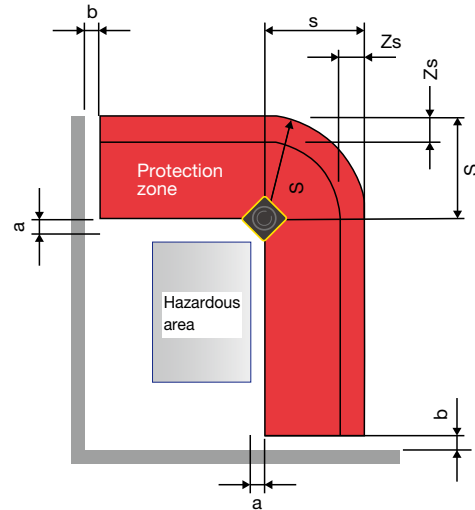
In this application, the SE2L is horizontally installed to protect the hazardous area. The protection zone is set around the hazardous area to prevent humans or objects from entering the hazardous area. Warning zones 1 and 2 are configured to surround the protection zone.

Protection zone 1 application (horizontal, stationary installation)



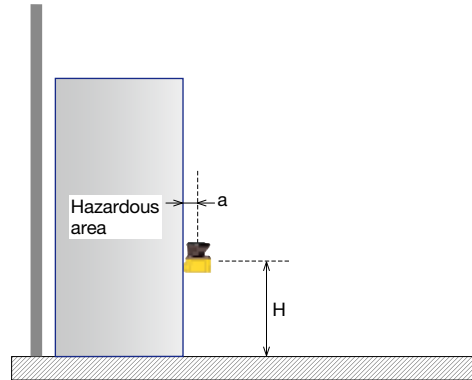
Warning zones 1 and 2 are set around the protection zone to send alarms to prevent humans or objects from entering the hazardous area and stopping the machine. By detecting humans or objects in the protection zone, the OSSD signal switches from ON to OFF. Also, when humans or objects are detected in the warning zone, WARNING signal switches from ON to OFF.

Upper view (stationary)



- Maintain the distance "a" shorter than the minimum detection width. To prevent unwanted detection, maintain the distance "b" 100mm.

Side view (stationary)



Calculation

$$S = (K \times (T_m + T_s) + C + Z_s)$$

S = Safety distance (mm)

K = Human approach speed 1,600 (mm/s)

T_m = Maximum stop speed of machine or system (s)

T_s = Response time of SE2L (s)

$C = 1200 - 0.4 \times H \geq 850$

H = height from the floor to the sensing plane (mm)

$1000 \geq H \geq 15 \times (d - 50)$

d = Minimum sensing width of object (mm)

Z_s = Additional safety distance of SE2L (mm)

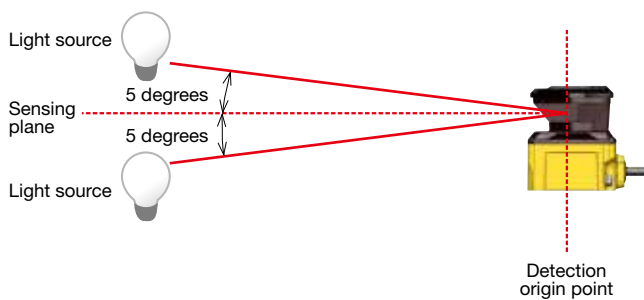
- See User's Manual for access protection and area protection (access detection, collision avoidance for mobiles)

Installation

Light Interference

SE2L is a sensor that transmits pulsed laser for obstacle detection. Interfering light sources may lead to false detection. Before using the SE2L, examine the surrounding environment. If the SE2L must be used under the environment shown below, install the SE2L so that the light source is located more than ± 5 degrees from the sensing plane to prevent light interference.

- a) Incandescent light
- b) Florescent light
- c) Strobe light
- d) Flashing beacon
- e) Sunlight
- f) Infrared light source



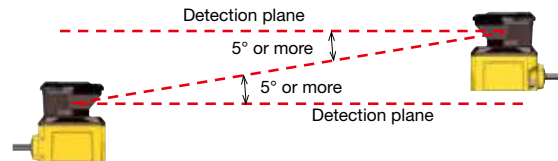
Mutual Interference

When using several safety laser scanners or scanning range finders of the same model, pulse laser signals from other sensors may be falsely detected. To prevent mutual interference, see the installation methods shown below. See User's Manual for more details.

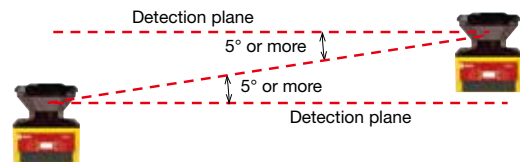
1) Changing the installation height

Install the SE2Ls at different heights to keep at least 5 degree distance between the detection planes.

① Face to face installation



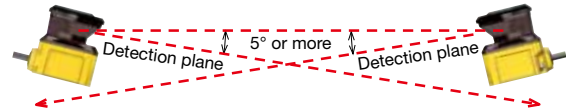
② Parallel installation



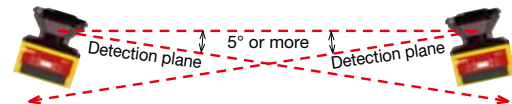
2) Changing the installation angle

Adjust the angle of SE2Ls to keep at least 5 degree distance between the detection planes.

① Face to face installation



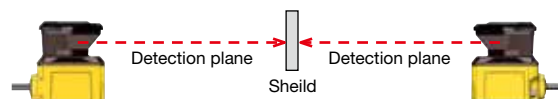
② Parallel installation



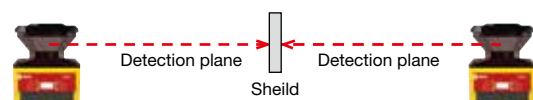
3) Using shields

Install a shield between the SE2Ls to prevent prevent the laser beams from entering the other SE2L.

① Face to face installation



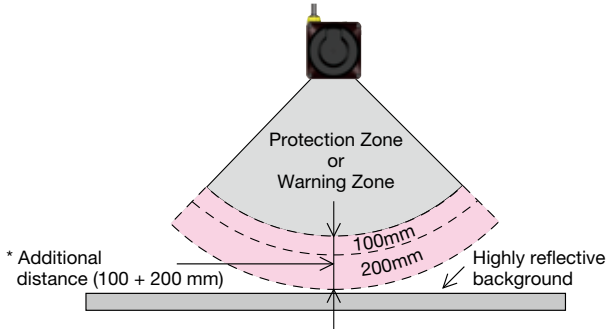
② Parallel installation



SE2L Safety Laser Scanner

Highly Reflective Background

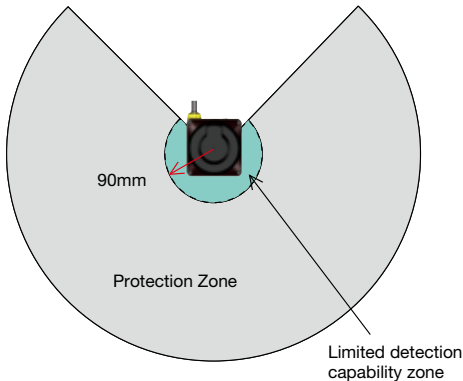
Highly reflective backgrounds may cause false detection causing the SE2L to detect a longer distance than the actual distance. If an operating environment with a highly reflective background cannot be avoided, an additional distance of 200 mm, in addition to the 100mm additional safety distance, is needed when configuring protection or warning zones.



* Additional distance: the distance required to operate the SE2L under high reflective background

Limited Detection Capability Area

The limited detection capability area is the area between the optical window and the beginning of the detection zone. The area from the origin point of the SE2L to 90 mm from the origin point is the limited detection capability area. In this area, a low reflective object is difficult to detect.

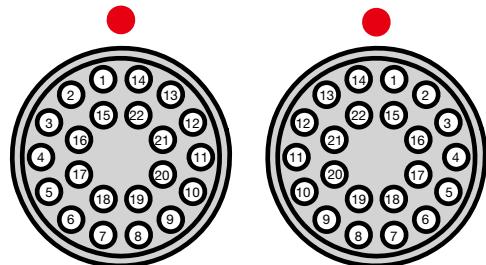


Wiring

The table below shows the functions of each wire. Use of a shielded wire is recommended.

Wire Color and Functions

| Color | Signal | Function | Description | AWG | Pin No. | |
|--------------|------------------------------|----------|---|---|---------|----|
| Brown | +24V DC | Power | Power: 24V DC | 22 | 1 | |
| Blue | 0V DC | | Power: 0V DC | 22 | 2 | |
| Red | OSSD 1 | Output | Protection zone output 1 | 26 | 3 | |
| Yellow | OSSD 2 | | Protection zone output 2 | 26 | 4 | |
| Red/Black | OSSD 3 WARNING1 | Output | Protection zone output 3 Warning zone output 1 | 28 | 5 | |
| Yellow/Black | OSSD 4 WARNING2 | | Protection zone output 4 Warning zone output 2 | 28 | 6 | |
| Purple | IN_A | Input | Area switching input A | 28 | 7 | |
| Gray | IN_B MUTING3 | | Area switching input B Muting input 3 | 28 | 8 | |
| White | IN_C OVERRIDE1 ENC1_A | | Area switching input C Override input 1 Encoder input 1_A | 28 | 9 | |
| Pink | IN_D MUTING1 ENC1_B | | Area switching input D Muting input 1 Encoder input 1_B | 28 | 10 | |
| Green | IN_E EDM1 | | Area switching input E External device monitoring 1 | 28 | 11 | |
| Purple/Black | IN_A̅ | | Area switching input A̅ invert | 28 | 12 | |
| Gray/Black | IN_B̅ MUTING4 | | Area switching input B̅ invert Muting input 4 | 28 | 13 | |
| White/Black | IN_C̅ OVERRIDE2 ENC2_A | | Area switching input C̅ invert Override input 2 Encoder input 2_A | 28 | 14 | |
| Pink/Black | IN_D̅ MUTING2 ENC2_B | | Area switching input D̅ invert Muting input 2 Encoder input 2_B | 28 | 15 | |
| Green/Black | IN_E̅ EDM2 | | Area switching input E̅ invert External device monitoring 2 | 28 | 16 | |
| Yellow/Green | RESET1 | | Reset input 1 | 28 | 17 | |
| Yellow/Blue | RESET2 | | Reset input 2 | 28 | 18 | |
| Orange | RES_REQ1 MUT_OUT1 | | Output | RES_REQ1: request output 1 MUT_OUT1: muting state output 1 | 28 | 19 |
| Orange/Black | RES_REQ2 MUT_OUT2 | | | RES_REQ2: request output 2 MUT_OUT2: muting state output 2 | 28 | 20 |
| White/Blue | RS-485+ | | Communication | Communication protocol RS-485 (twisted pair) | 28 | 21 |
| White/Red | RS-485- | | | Communication protocol RS-485 (twisted pair) | 28 | 22 |
| Shield | FG | — | Frame ground | — | Case | |



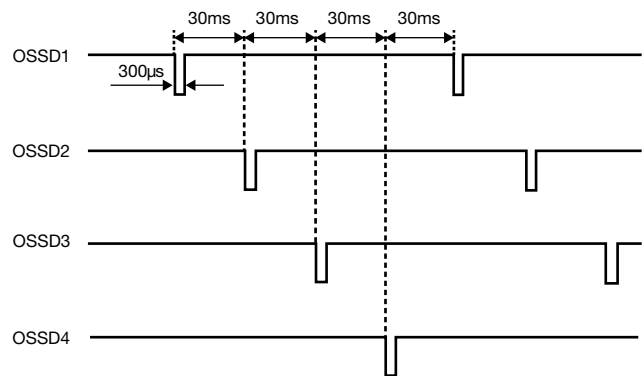
SE2L-H05LPC
Pin No.

SE9Z-HSC-C□□□
Socket No.

OSSD

In SE2Ls, the OSSD signal has a self-diagnosis function that tests the signal periodically to detect malfunction. The OSSD signal will turn OFF when an error is detected due to the self-diagnosis function. The self-diagnosis function of the OSSD detects abnormality by switching off OSSD 1 to OSSD 4 at intervals of 300 μ s maximum. Be sure to use a force-guided relay, converter, or controller that does not respond to this self-diagnosis function.

Time chart



Safety Precautions

For correct use of the SE2L, take note of the following precautions.

- SE2L is a AOPDDR (Active Optoelectronic Protective Device responsive to Diffuse Reflection) that detects diffused emitted light within the protection zone.
- Perform tests before operation to check the function and performance of the SE2L.
- SE2L is designed to protect human beings or systems by monitoring the hazardous area. It is not designed for the protection from high speed objects or electromagnetic radiation.
- To maintain the degree of protection and to prevent injury or death, do not modify or disassemble the SE2L.
- IDEC does not warrant any problems that were caused by modification or disassembly of the SE2L.
- The operator must be a person qualified to operate the SE2L. The operator must be trained and be able to operate the SE2L correctly.
- The administrator must provide continuous training to the operator for correct use of the SE2L.
- The administrator must understand the user's manual and be responsible for ensuring appropriate operating conditions for SE2L.
- SE2L has been manufactured and shipped under strict quality control. If you find any defect in the product, contact distributor or sales representative.
- IDEC does not take responsibility for damage caused by improper use of the product by customers or third parties. IDEC cannot take responsibilities for any loss from the misuse except for the responsibilities governed by law.
- To examine the object detecting performance, use a test piece the size equivalent to the minimum detectable object.
- Error occurs when detection capability is below 30% due to homogenous dirt on the optical window. The operator must keep the windows clean.
- When the interlock function is active, make sure that the surrounding environment, especially within the protection zone, is safe before resetting the interlock.
- While SE2L is removed, a protective measure must be taken to ensure safety within the protection zone. To prevent entry into the danger zone, use protective materials such as a safety guard or light curtain.
- SE2L and its accessories are subject to change for improvement without prior notice.
- Dispose the SE2L as industrial waste or in accordance with the local regulations.

Operating Environment

- Make sure that the operating environment is within the range of the specifications (temperature, humidity, light interference) described in User's Manual, otherwise malfunction or degradation of detection performance may result.
- Do not use the SE2L near a machine that may generate strong radio waves. It may interfere with the operation of the SE2L.
- Do not use or install the SE2L where dust, smoke, or corrosive chemical substances exist. Using the SE2L under these environments may lead to degradation of detection performance.
- The SE2L is for indoor use only.

Installation

- Install the SE2L on a stable surface or structure to prevent displacement of the sensor.
- Install the SE2L securely so that screws do not loosen due to shock or vibration. (Recommended tightening torque 3 N·m). Displacement may degrade protection performance.
- Determine the safety distance before installing the SE2L. After installing the SE2L, use a test piece for all protection zones to check the sensing functions.
- After installing the SE2L, use protective materials such as safety guards and light curtains to prevent entry into the protective zone.
- The following switches must be installed far from the protection zone, so that the operator can operate the switches while overseeing the entire protection zone.
 - * Switch to reset the interlock function
 - * Switch to start muting function
 - * Switch to start override function
- If several SE2Ls are installed on the same sensing plane, mutual interference may occur.
- Provide enough space for installation and maintenance of the SE2L.
- Do not cover the front of the optical window with glass or transparent cover, otherwise detection characteristics of the SE2L may be impaired.
- Minimum sensing width differs according to the distance.

SE2L Safety Laser Scanner

Safety Precautions

Wiring

- Be sure to turn off all power before wiring.
- When using converter power, make sure to use power that satisfies the following requirements.
 - 1) The rated output voltage is within 24V DC \pm 10% (SELV circuit, overvoltage category II)
 - 2) The circuit between primary circuit and secondary circuit is reinforced insulation or double insulation.
 - 3) The output holding time is 20 ms.
 - 4) The power supply must comply with electrical safety and electromagnetic compatibility (EMC) regulations requirements of each country, state, and district.
- All input/output cables must be located away from power cables and high voltage cables.
- To control safety-related machine or system, use OSSD output. Because warning zone output (warning signal) is a non-safety signal, do not use for safety purposes.
- Both the OSSD1 and OSSD2 outputs should be connected to safety-related machines or control system. When OSSD3 and OSSD4 are used, connect the outputs in the same manner.
- Use shielded cable for the connection between OSSD signals and safety-related machines or systems.

Installation

- A password is used for configuring the safety function. Only an administrator or operator should be able to set safety functions.
- SE2L will not operate without initial configuration.
- Perform test operation and check the configuration before using the SE2L.
- The stability of the SE2L increases by delaying the response time of the OSSD signal but the sensing performance decreases for moving objects. Before using this function, be sure to carry out risk assessment.
- The operator must record the changes made in the configuration. SLS Configurator report function is available. For details, see the User's Manual.

Testing and Maintenance

- The operator should perform the following tests or maintenance based on the checklist described in the User's Manual.
 - 1) Pre-operation inspection
 - 2) Operation inspection
 - 3) Daily inspection
 - 4) Periodic inspectionThe checklist in the User's Manual is a basic guideline for performing tests and maintenance. The operator should perform additional tests and maintenance if necessary.
- Stop the machine if failure occurs during tests.
- Clean the optical window if any dirt is found, and ask for repair if damaged. Refer to the User's Manual for details.

IDEC CORPORATION

Head Office

6-64, Nishi-Miyahara-2-Chome, Yodogawa-ku, Osaka 532-0004, Japan

| | | | |
|------------------|-------------------------------|--------------------------|----------------------|
| USA | IDEC Corporation | Tel: +1-408-747-0550 | opencontact@idec.com |
| Australia | IDEC Australia Pty. Ltd. | Tel: +61-3-8523-5900 | sales@au.idec.com |
| Germany | IDEC Electrotechnik GmbH | Tel: +49-40-25 30 54 - 0 | service@eu.idec.com |
| Singapore | IDEC Izumi Asia Pte. Ltd. | Tel: +65-6746-1155 | info@sg.idec.com |
| Thailand | IDEC Asia (Thailand) Co., Ltd | Tel: +66-2-392-9765 | sales@th.idec.com |
| Taiwan | IDEC Taiwan Corporation | Tel: +886-2-2698-3929 | service@tw.idec.com |

 www.idec.com

| | | | |
|-----------------------|-----------------------------|------------------------|----------------------|
| Hong Kong | IDEC Izumi (H.K.) Co., Ltd. | Tel: +852-2803-8989 | info@hk.idec.com |
| China/Shanghai | IDEC (Shanghai) Corporation | Tel: +86-21-6135-1515 | idec@cn.idec.com |
| China/Shenzhen | IDEC (Shenzhen) Corporation | Tel: +86-755-8356-2977 | idec@cn.idec.com |
| China/Beijing | IDEC (Beijing) Corporation | Tel: +86-10-6581-6131 | idec@cn.idec.com |
| Japan | IDEC Corporation | Tel: +81-6-6398-2527 | marketing@idec.co.jp |

Specifications and other descriptions in this brochure are subject to change without notice.
2017 IDEC Corporation, All Rights Reserved.

EP1590-3 MARCH 2017

